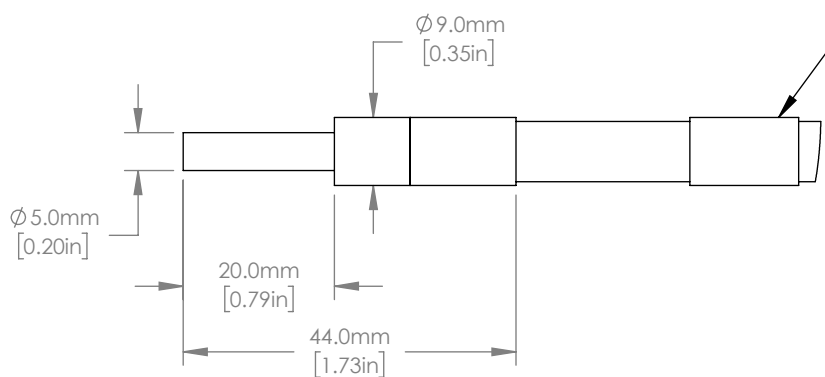


DETAIL A
SCALE 1 : 1



Yellow marked end must be used as light input

FOR INFORMATION ONLY
NOT FOR MANUFACTURING PURPOSES

DRAWING PROJECTION			THORLABS www.thorlabs.com	
NAME	DATE	IR Liquid Light Guide, ϕ 3 mm CORE		
DRAWN YChen	April/04/18	MATERIAL NA		REV A
APPROVAL SSONG	April/04/18	ITEM # LLG3-4Z		
COPYRIGHT © 2018 BY THORLABS		APPROX WEIGHT 0.1 kg		
VALUES IN PARENTHESIS ARE CALCULATED AND MAY CONTAIN ROUND OFF ERRORS				